

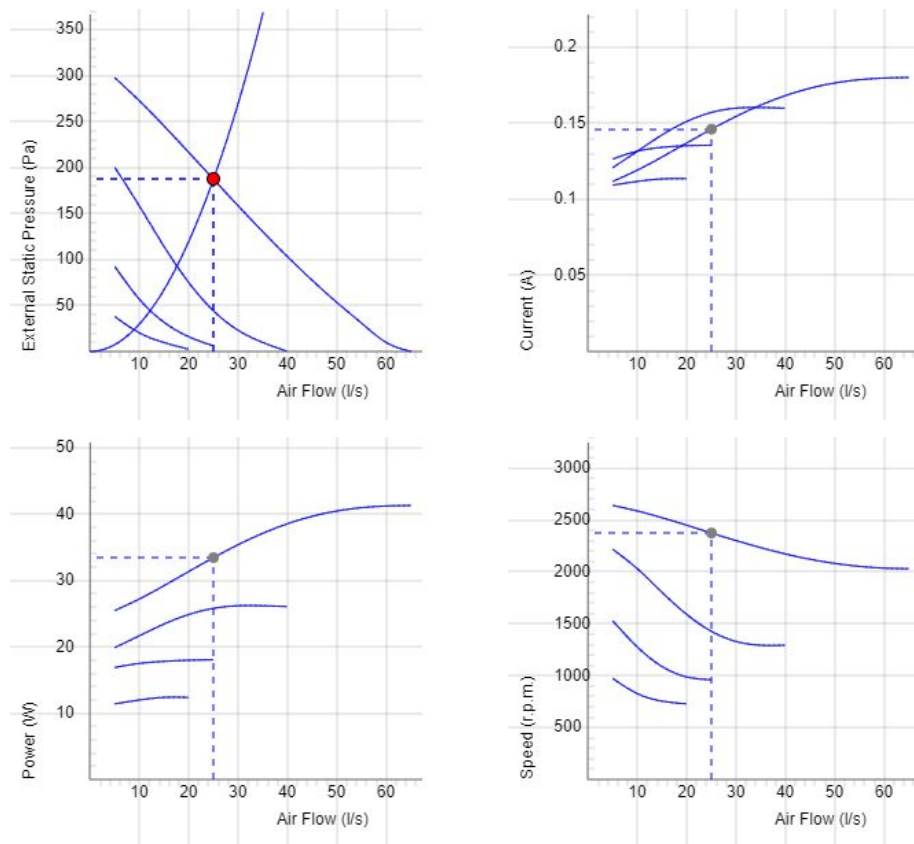
CK 100 A1



- Duct fan with circular connections.
- Proven performance and reliability.
- Compact with high capacity and efficiency.
- Low sound levels.
- Operational in both 50 and 60 Hz.
- Impeller with backward curved blades.
- The external rotor motor has maintenance-free sealed ball-bearings and is very energy efficient.
- For speed control a transformer or electronic speed controller can be connected.
- Integrated motor protection.
- Junction box has enclosure class IP 54.
- Fan housing is manufactured from galvanized sheet steel.
- The fan is intended to be installed in a duct system.
- A duct connected fan can be installed outside or in damp environments.
- Easy installation in any position.
- To comply with the ErP 2018 regulation, a local demand controller must be used.



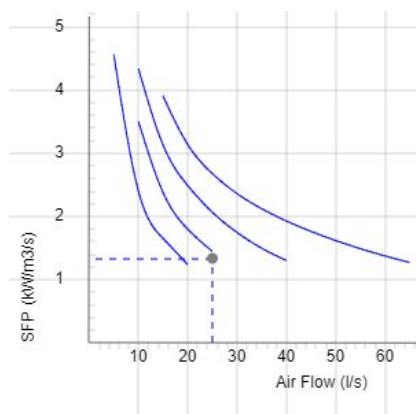
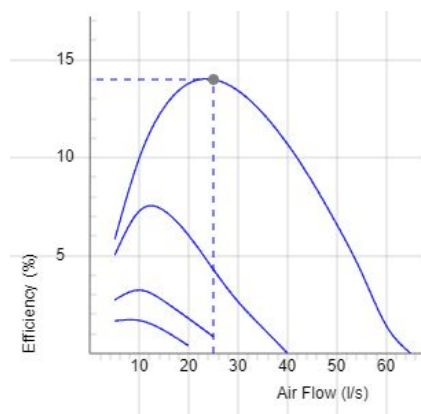
DIAGRAMS



Data

Air Flow (l/s) 25	External static pressure (Pa) 187	Power (W) 33.5	Speed (r.p.m.) 2375	Current (A) 0.146	Voltage (V) 230
----------------------	--------------------------------------	-------------------	------------------------	----------------------	--------------------

DIAGRAMS

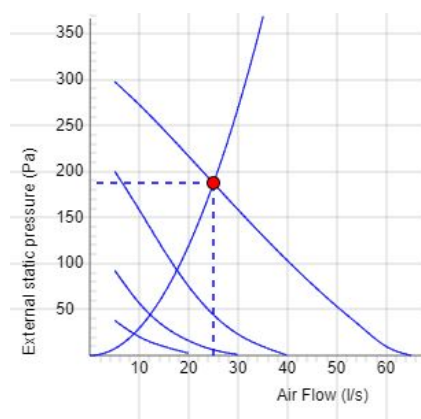


DATA

Efficiency (%)
14

SFP (kW/m³/s)
1.34

SOUND DATA



	Tot	63	125	250	500	1k	2k	4k	8k
Inlet Lw dB(A)	66	56	57	60	61	58	55	51	45
Outlet Lw dB(A)	66	55	56	60	60	58	57	50	44
Surrounding Lw dB(A)	44	21	29	37	35	38	35	35	32
Surrounding Lp dB (A) 20m ² Sabine, hemispherical 3m	37								

Data - SOUND

Air Flow (l/s) 25	External static pressure (Pa) 187	Power (W) 33.5	Speed (r.p.m.) 2375	Current (A) 0.146	Efficiency (%) 14	SFP (kW/m ³ /s) 1.34	Voltage (V) 230
----------------------	---	-------------------	------------------------	----------------------	----------------------	------------------------------------	--------------------

TECHNICAL DATA

Parameter	CK 100 A1 man tp 7000001		CK 100 A1 aut tp 7000030	
	Value	Unit	Value	Unit
Voltage	230	V	230	V
Phase	1	~	1	~
Frequency	50	Hz	50	Hz
Optional frequency	60	Hz	60	Hz
Power	41	W	41	W
Current	0.18	A	0.18	A
Speed	2040	r.p.m.	2040	r.p.m.
Max. temperature of transported air	80	°C	80	°C
Max. temperature of transported air when speed controlled	80	°C	80	°C
Sound pressure level at 3 m	37	dB(A)	37	dB(A)
Weight	2.5	kg	2.5	kg
Enclosure class	44	IP	44	IP
Insulation class, motor	F		F	
Capacitor	3	µF	3	µF
Duct connection	100	mm	100	mm
Max. flow @ 0Pa	62	l/s	62	l/s
Max. pressure	319	Pa	319	Pa
Voltage range	220-240	V	220-240	V

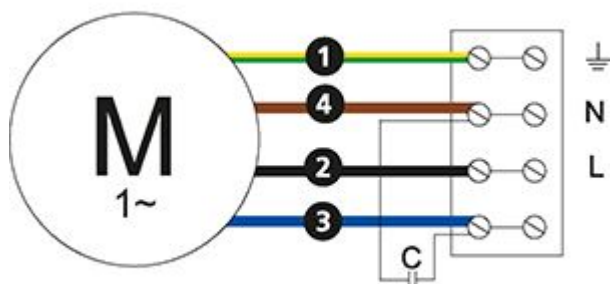
PRODUCT INFORMATION SHEET

Parameter	Value	Unit
(a) Manufacturer	Östberg	-
(b) Model code	CK 100 A1	-
(c) SEC average climate	-24.6	kWh/m ²
SEC average climate, class	C	-
SEC warm climate	-9.1	kWh/m ²
SEC warm climate, class	F	-
SEC cold climate	-51.7	kWh/m ²
SEC cold climate, class	A+	-
(d) Declared type	RVU / UVU	-
(e) Type of drive	Multi-speed drive (accessory)	-
(f) Type of heat recovery	N/A	-
(g) Thermal efficiency	N/A	%
(h) Max. flow rate (@100Pa)	146	m ³ /h
(i) Power at max. flow rate	39	W
(j) Sound power level	44	dB LwA
(k) Reference flow rate	0.051	m ³ /s
(l) Reference pressure difference	50	Pa
(m) SPI	0.22	W/(m ³ /h)
(n) Type of control/ctrl factor	Local demand control(accessory)/0.65	-
(o) External (and internal) leakage rate	0.55 (N/A)	%
(p) Mixing rate	N/A	-
(q) Visual filter warning	N/A	-
(r) Instruction supply/exhaust grilles	See manual	-
(s) Disassembly instructions	fsp.ostberg.com	-
(t) Airflow sensitivity	N/A	-
(u) Air tightness	N/A	m/s
(v) AEC	147	kWh

Parameter	Value	Unit
(w) AHS average	2830	kWh
AHS warmer	1280	kWh
AHS colder	5536	kWh

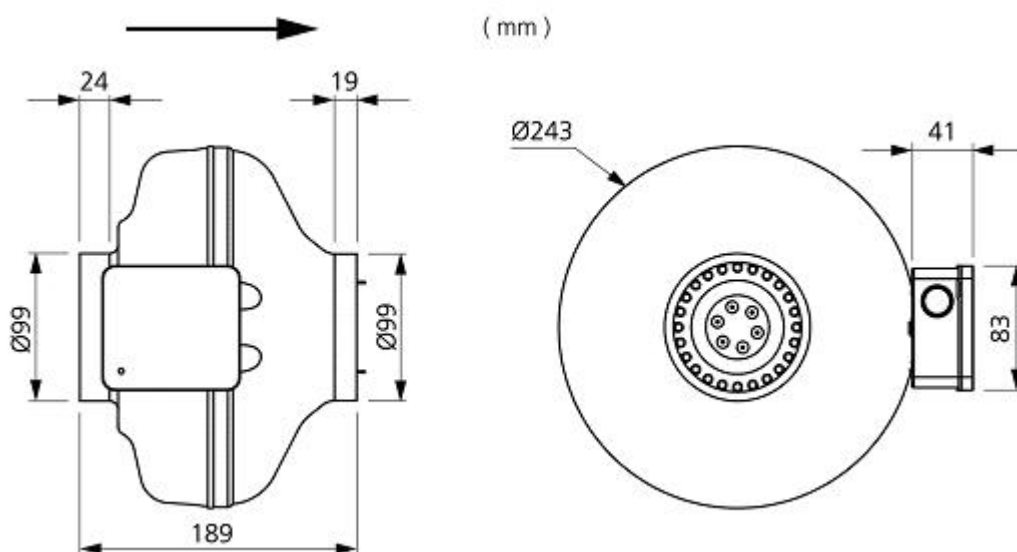
WIRING DIAGRAM

4040002



- Ⓜ = Fan Motor
- Ⓜ1 = Fan Motor
- Ⓜ2 = Fan Motor
- Ⓜ3 = Rotor Motor
- ① = Yellow/Green
- ② = Black
- ③ = Blue
- ④ = Brown
- ⑤ = White
- ⑥ = Orange
- ⑦ = Grey
- ⑧ = Red
- ⑨ = Green
- ⑩ = Violet
- ⑪ = Quick switch
- ⑫ = Yellow

DIMENSIONS



ACCESSORIES

Mechanical accessories



Mounting bracket Kit MB



Mounting clamp MK



Safety grille BSV 100



Back draught shutter RSK 100



Louvre YG 100



Louvre shutter VK 100



Filterbox FLK 100



Filterbox FLF 100



Silencer LDC 100

Electrical accessories



Transformer controller VRTE C



Transformer controller VRDE 1.5



Speed controller VRS 0.5



Local Demand Controller Kit