

CONDEXA HPR

Wall-hung gas condensing modules



A Carrier Company

RIELLO
Energy For Life

www.riello.com

CONDEXA HPR

CONDEXA HPR IS RIELLO NEW MODULAR WALL-HUNG SOLUTION, IDEAL FOR THE REPLACEMENT OF OLD GENERATORS IN SMALL-SIZED PLANT ROOMS.

Thanks both to the **compactness** and the **reduced weight**, CONDEXA HPR is the ideal answer in all those situations where space is a critical factor for the choice of the generator. The range consists of **4 condensing models from 35 up to 70 kW, with the possibility of both stand alone and cascade installation up to 4 thermal modules with LINEAR or BACK-TO-BACK configuration, reaching up to 280 kW.**

Range suitable **both for indoor and partially covered installations (IPX5D)**, equipped with low consumption modulating circulators as standard.

To support the designer in identifying the best solution, Riello has developed a **configuration software** to support the selection process of accessories specifically developed for this system.

THE RANGE

CONDEXA HPR is available in 4 room-selaeed models:

- **CONDEXA HPR 35**
- **CONDEXA HPR 45**
- **CONDEXA HPR 55**
- **CONDEXA HPR 70**



FOR A SUSTAINABLE FUTURE

The CONDEXA HPR range is designed to operate with blends of natural gas and hydrogen, up to a maximum of 20%: a first important step towards the objectives of environmental sustainability and in the decarbonisation process started by the European Union.



STAINLESS STEEL HEAT EXCHANGER



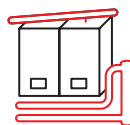
ENERGY SAVING



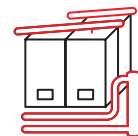
WIDE RANGE OF ACCESSORIES



STAND ALONE CONFIGURATION



LINEAR CASCADE CONFIGURATION

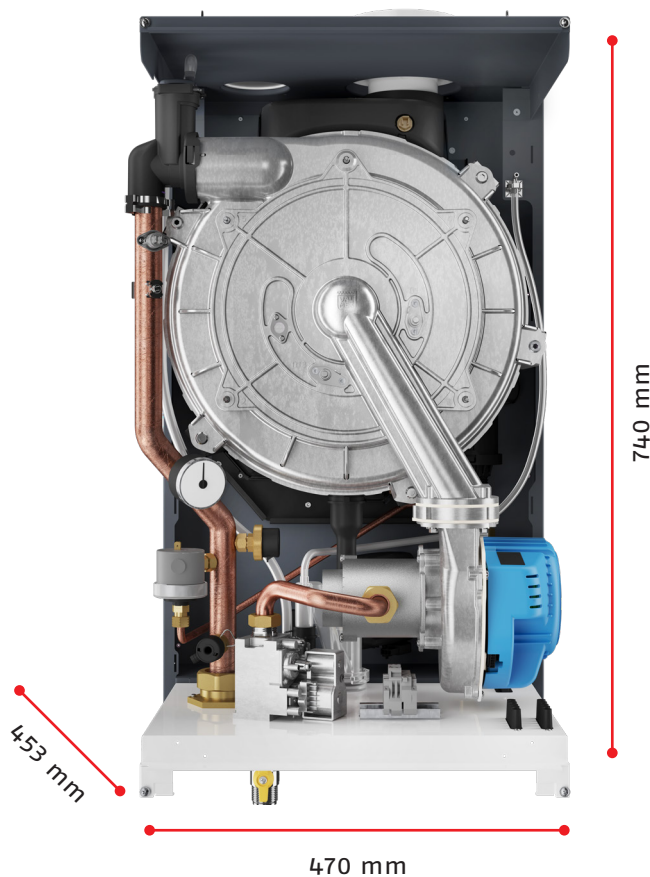
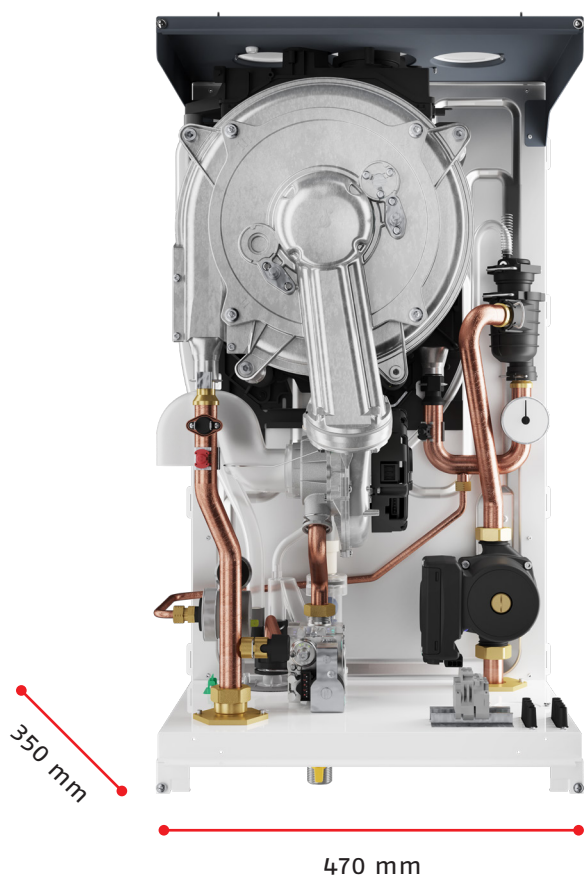


BACK-TO-BACK CASCADE CONFIGURATION

COMPACT MODULARITY

35 ÷ 45 kW


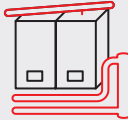

55 ÷ 70 kW

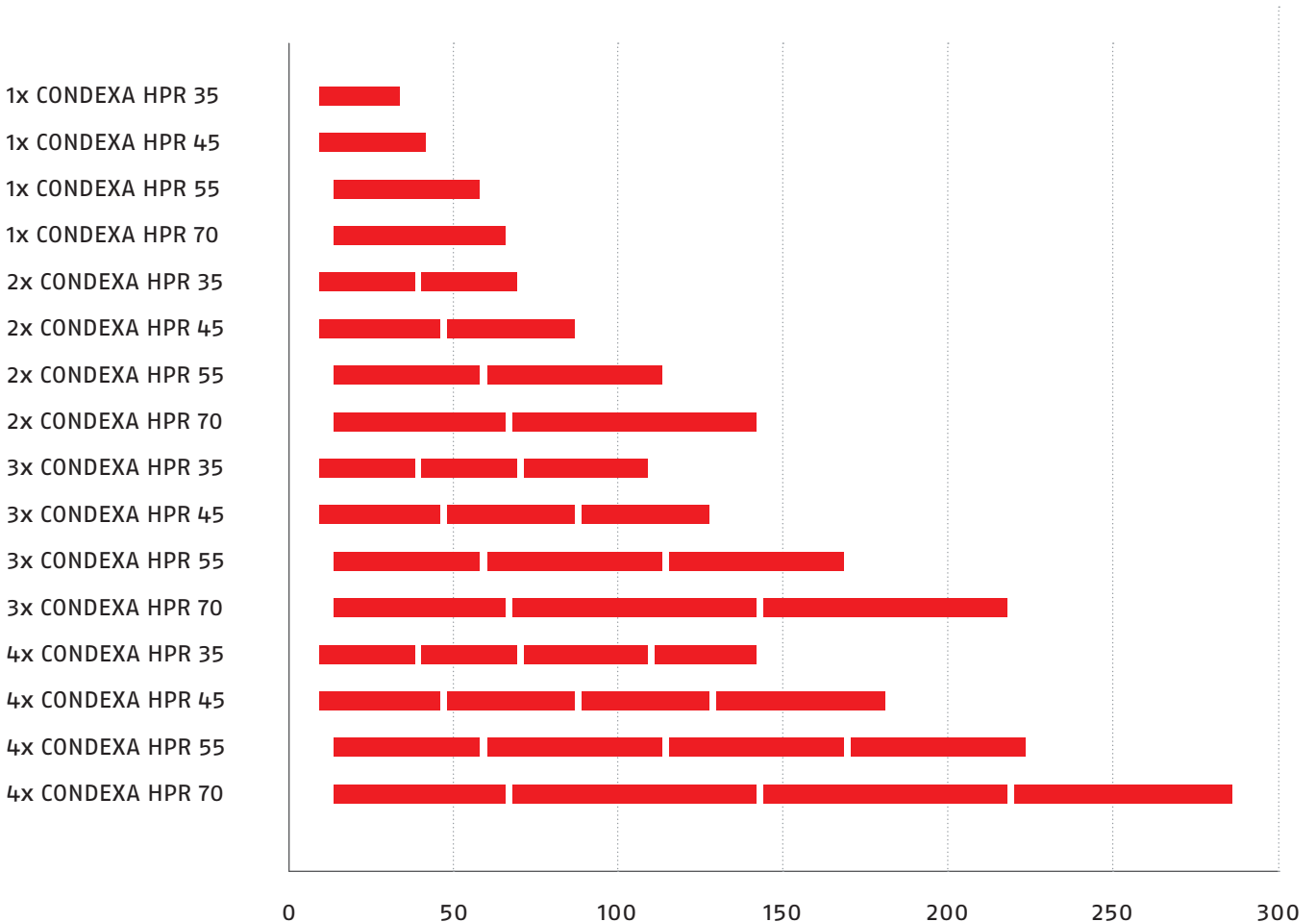


- **Room-sealed configuration** as standard
- **Premixed burner with low polluting emissions**
- New **stainless steel heat exchanger** with low water content
- **Low consumption hydraulic circulator** as standard on each model
- **Compact and lightweight structure**
- Complete **front accessibility** for maintenance operations

4 MODELS FOR 28 SOLUTIONS

WITH CONDEXA HPR, RIELLO EXPANDS ITS WALL-HUNG OFFER IN THE PROFESSIONAL SEGMENT, INTRODUCING A RANGE THAT IS ABLE TO ENSURE INSTALLATION FLEXIBILITY, MAXIMIZING THE COMPACTNESS OF THE SYSTEM. WITH A RANGE OF 4 MODELS, 28 CONFIGURATIVE SOLUTIONS CAN BE REALIZED, TO MEET THE MOST VARIOUS SPACE REQUIREMENTS OF THE TECHNICAL ROOM.

		
STAND ALONE CONFIGURATION	LINEAR CASCADE CONFIGURATION	BACK-TO-BACK CASCADE CONFIGURATION
4	12	12



TECHNICAL FEATURES

STAND ALONE CONFIGURATION



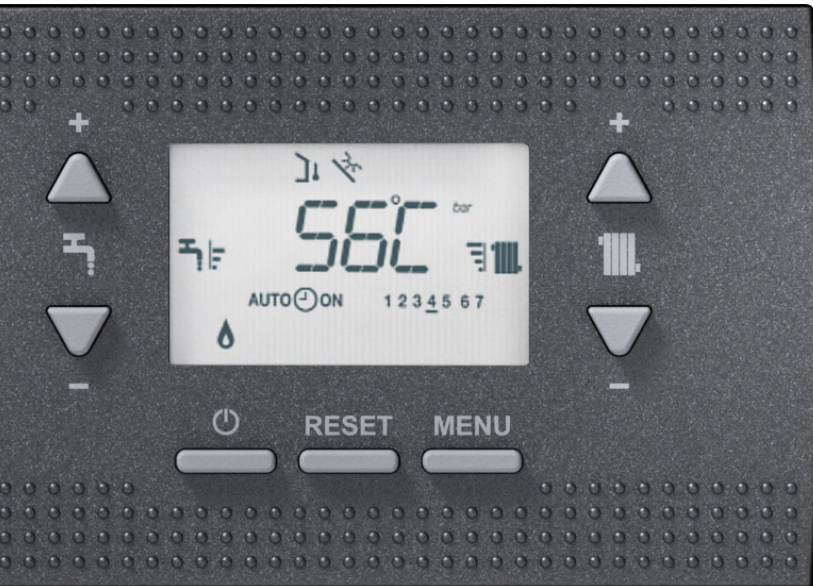
- Heating only
- Clapet as standard
- Modulation ratio up to 1:8
- IPX5D protection degree as standard
- Concentric flues as standard
- Up to 3 zones management by means of specific accessories

CASCADE CONFIGURATION



- LINEAR or BACK-TO-BACK configuration
- Modulation ratio up to 1:32
- System height <2 meters in all configurations
- Possibility of combining either with hydraulic separator or with plate heat exchanger for the separation between primary and secondary circuit
- Wide range of accessories, both hydraulic and flue gas exhaust

ELECTRONIC CONTROL AND DISPLAY



INTUITIVE

SIMPLE

IMMEDIATE

BOILER CONTROL

- **Simple and intuitive** backlit LCD display which shows the main operating information
- **Ease of setting** thanks to the keys with symbols dedicated to the end-user functions
- **Clock function weekly programmer** integrated into the display



DHW temperature setting



Central heating water temperature setting



Operation status
OFF - SUMMER - WINTER



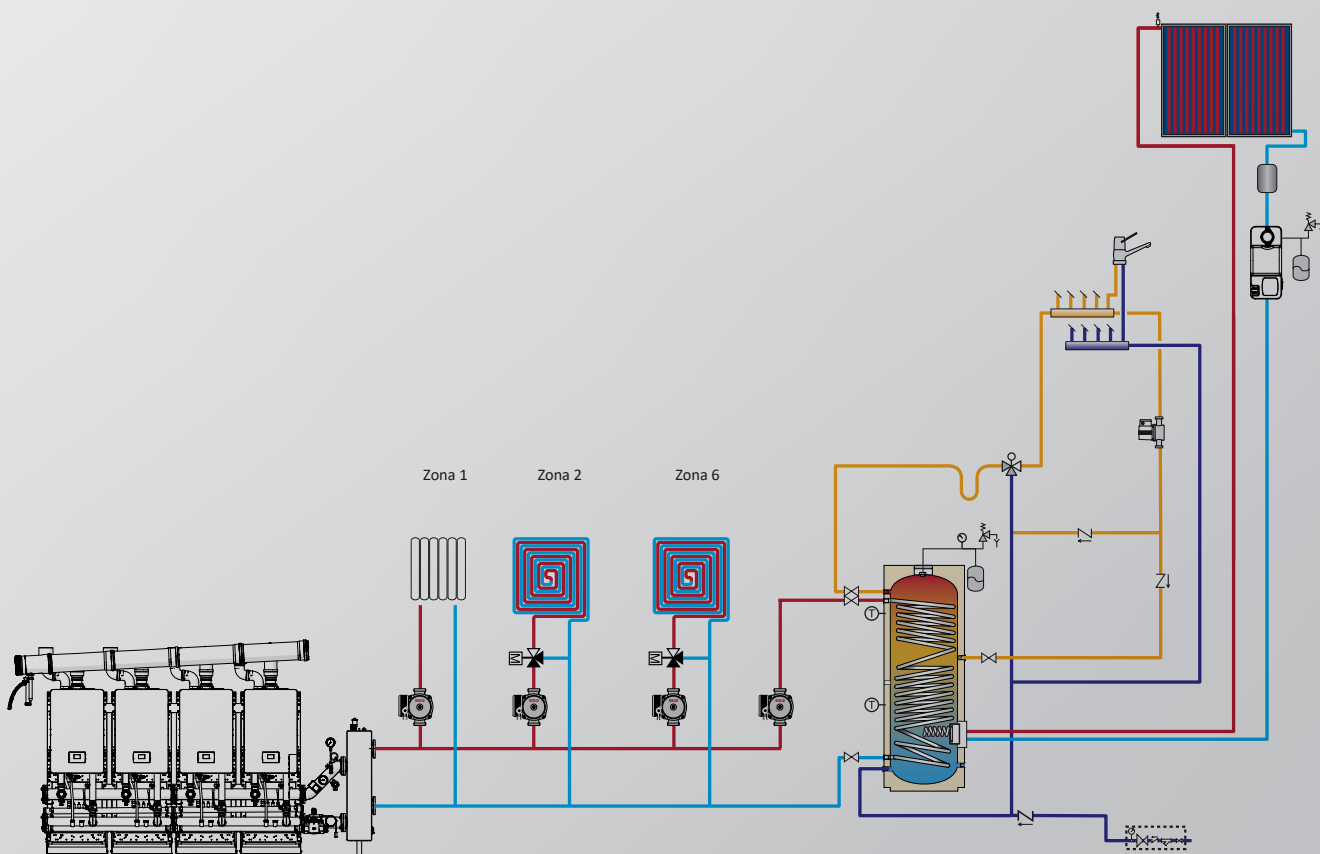
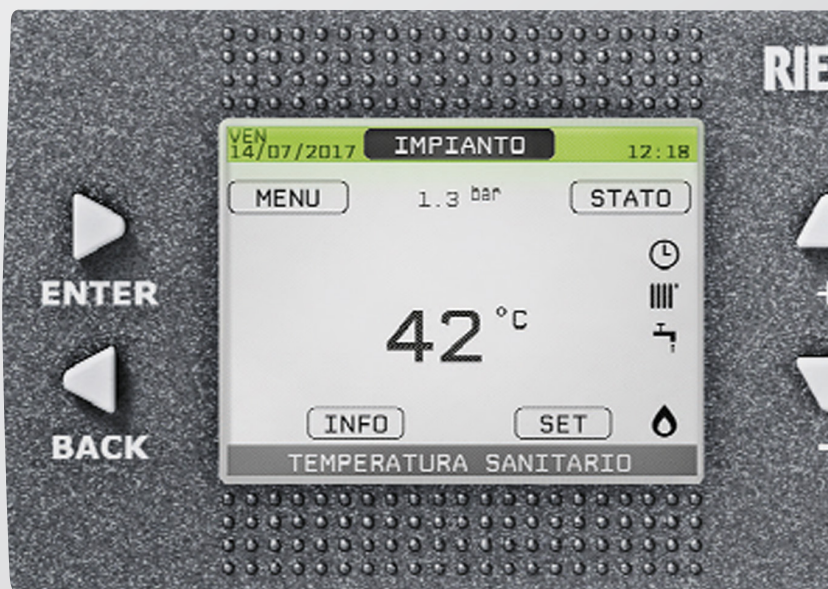
Unlock and reset
alarms



Information **menu**
and **parameters**

SYSTEM REMOTE CONTROL WITH CONDEXA HPR IN CASCADE

- Possibility to **manage, view** and **parametrize the entire** heating system
- Management of **up to 4 boilers in cascade** with different operating modes
- Display of **the operating status** of the system and of the **individual generators** of the system
- Management of **up to 6 direct / mixed zones and DHW production** with an external cylinder
- Possibility to **manage a solar thermal system**

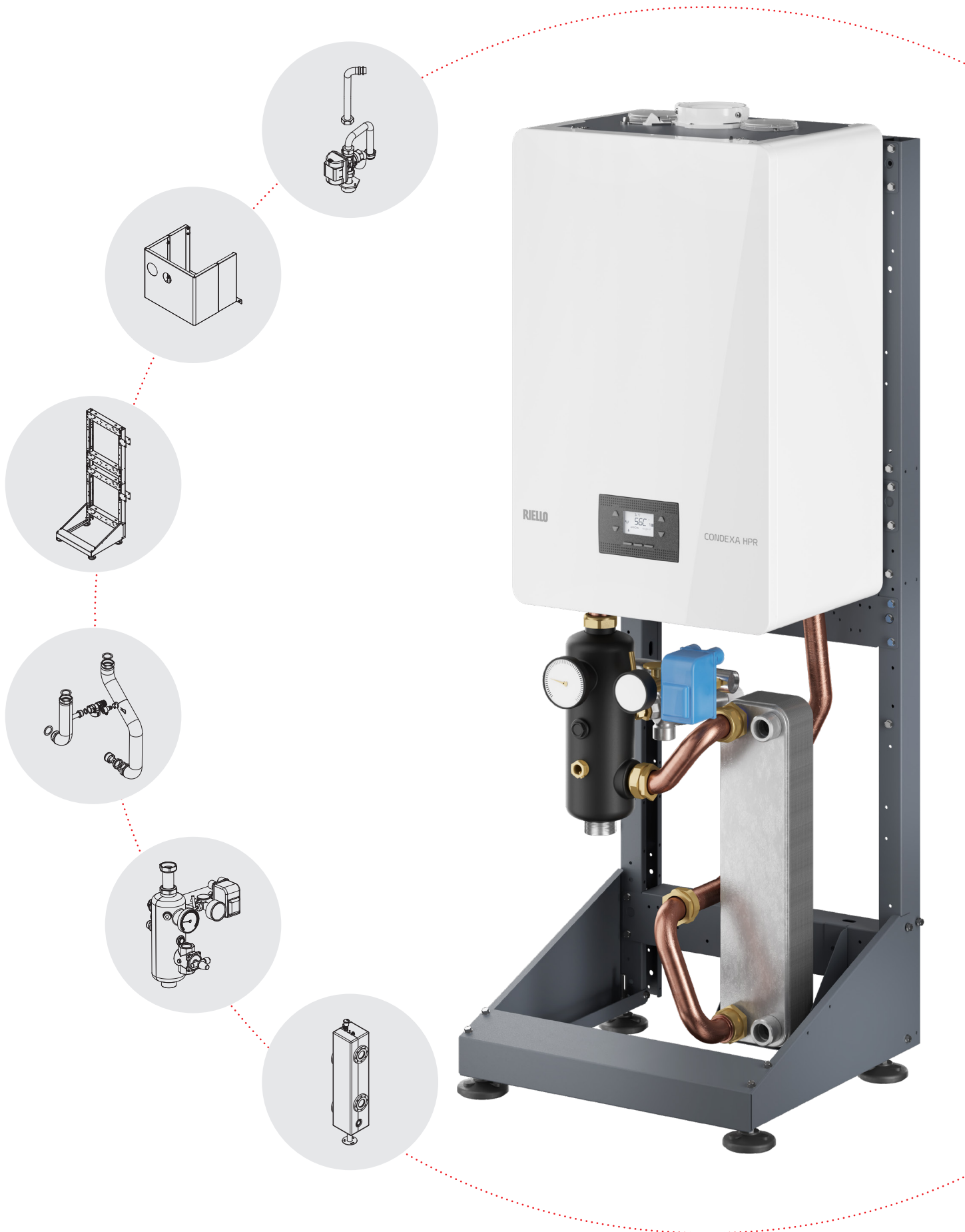


ACCESSORIES

CONDEXA HPR IS COMPLETED WITH A WIDE RANGE OF ACCESSORIES ABLE TO ADAPT TO THE NEEDS FOR EACH TYPE OF SYSTEM. THE ACCESSORIES HAVE BEEN SPECIALLY DESIGNED TO MAXIMIZE THE FLEXIBILITY OF THE SYSTEM AND TO OBTAIN THE IDEAL SOLUTION FOR EVERY INSTALLATION REQUIREMENT, BOTH IN STAND ALONE AND IN CASCADE INSTALLATION.

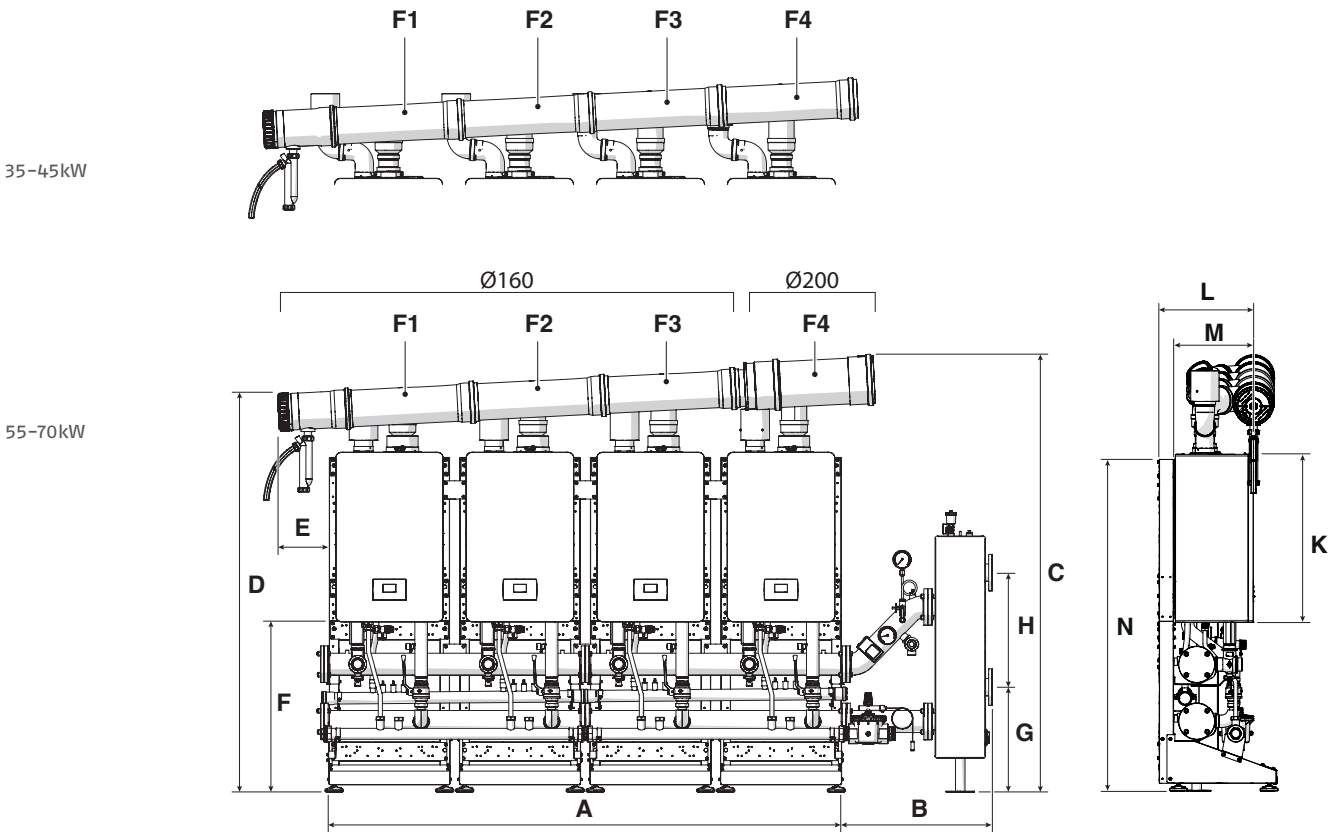
- A safety kit is also available for all models, which is completed with specific shut-off and safety valves, both to be selected according to the boiler model
- Possibility of installation either with hydraulic separator or plate heat exchanger both in single installation and in cascade thanks to the specifically designed accessories
- Flue collectors, hydraulic manifolds and connections specifically designed for cascade installation in linear or back-to-back configuration
- A series of useful accessory kits are also available for managing the heating zones, which allow the management of up to 6 direct or mixed zones when combined with the use of the remote control.





DRAWINGS AND TECHNICAL DATA

TECHNICAL DRAWINGS



DESCRIPTION	U.M.	A	B	C	D	E	F	G	H	K	L	M	N	F1	F2	F3	F4
CONDEXA HPR 35	mm	2240	658	1921	1777	285	743	457	500	740	423	351	1483	Ø 160	Ø 160	Ø 160	Ø 160
CONDEXA HPR 45	mm	2240	658	1921	1777	285	743	457	500	740	423	351	1483	Ø 160	Ø 160	Ø 160	Ø 160
CONDEXA HPR 55	mm	2240	658	1892	1740	226	743	457	500	740	383	312	1481	Ø 160	Ø 160	Ø 160	Ø 200
CONDEXA HPR 70	mm	2240	658	1892	1740	226	743	457	500	740	383	312	1481	Ø 160	Ø 160	Ø 160	Ø 200

DESCRIPTION	U.M.	CONDEXA HPR 35	CONDEXA HPR 45	CONDEXA HPR 55	CONDEXA HPR 70	
Appliance type		Wall-hung indoor installation	Wall-hung indoor installation	Wall-hung indoor installation	Wall-hung indoor installation	
Device category		II 2H3P appliance	II 2H3P appliance	II 2H3P appliance	II 2H3P appliance	
Combustion chamber		Only heating sealed condensing with forced draught	Only heating sealed condensing with forced draught	Only heating sealed condensing with forced draught	Only heating sealed condensing with forced draught	
Maximum rated heat input (LHV)	kW	34,9	45	55	70	
Minimum rated heat input (LHV)	kW	5,2	5,2	8,2	8,2	
Maximum useful heat output (80-60°C)	kW	33,99	43,88	53,60	68,20	
Maximum useful heat output (50-30°C)	kW	37,31	47,30	58,25	74,19	
Minimum useful heat output (80-60°C)	kW	4,98	4,98	7,87	7,87	
Minimum useful heat output (50-30°C)	kW	5,57	5,57	8,78	8,78	
Combustion efficiency	%	97,60	97,70	97,60	97,60	
Efficiency with nominal heat output (80-60°C)	%	97,40	97,50	97,50	97,50	
Efficiency with minimum heat output (80-60°C)	%	95,80	95,80	96,00	96,00	
Efficiency with nominal heat output (50-30°C)	%	106,90	105,10	105,90	106,00	
Efficiency with minimum heat output (50-30°C)	%	107,20	107,20	107,00	107,00	
Useful efficiency at max. rated output (30° return)	%	108,20	107,90	107,60	107,50	
Seasonal energy efficiency in room heating mode η _s	%	93,0	92,0	92,0	92,0	
Efficiency class in heating mode	kW	A	A	A	A	
Maximum operating pressure	bar	5	5	5	5	
Minimum operating pressure	bar	0,8	0,8	0,8	0,8	
Safety thermostat intervention temperature	°C	102 (±3)	102 (±3)	102 (±3)	102 (±3)	
Max. allowed temperature	°C	90	90	90	90	
Adjustment temperature (min / max)	°C	20 ÷ 90	20 ÷ 90	20 ÷ 90	20 ÷ 90	
Useful head available (@1000 l/h)	mbar	820	820	430	430	
Boiler residual head	Pa	166	198	180	200	
NOx emissions	mg/kWh	30,0	33,0	41,0	48,0	
NOx class		6	6	6	6	
Emissions at max / min flow rate	CO ₂	%	9,0	9,0	9,0	9,0
	CO	ppm	120/30	150/30	170/40	220/40
Chimney losses with burner off/on	%	0,06/2,38	0,05/2,35	0,04/2,41	0,03/2,44	
Flue mass flow rate	g/s	15,855-2,362	20,443-2,362	24,986-3,725	31,800-3,725	
Noise levels (sound pressure)	dB(A)	57,0	60,0	57,0	61,0	
Electrical power supply	V-Hz	230/50	230/50	230/50	230/50	
Electrical protection level	IP	X5D	X5D	X5D	X5D	
Total electrical power	W	158	175	201	284	
Dimensions (H×W×D)	mm	740 x 470 x 350	740 x 470 x 350	740 x 470 x 453	740 x 470 x 453	
Net weight	kg	35	35	53,5	53,5	

RIELLO

Riello S.p.A.
Via Ing. Pilade Riello, 7
37045 Legnago (VR) - Italy
tel. +39 0442 630111



CONDEXA HPR



In order to improve its products, RIELLO reserves the right to modify the characteristics, data and information contained in this guide at any time and without prior notice. This guide, therefore, cannot be considered as contractually binding on third parties.