

Car Park Axial

THE NEW BENCHMARK FOR JETFANS

CAR PARK AXIAL

THE RELIABLE, EFFICIENT AND COMPACT JETFAN

The CPA JetFans are our innovative solution for the efficient and inexpensive ventilation of large garages. In regular operation, it reduces the concentration of pollutants and ensures smoke-free escape routes in case of fire. Compared to duct systems, both the installation effort and the ongoing operating costs are significantly lower – with a noticeably greater effect at the same time.

Ventilation and fire protection of parking garages are usually strictly regulated internationally. The ruck CPA JetFans meet the legal requirements and have all relevant approvals.

Patented aluminum inlet nozzle for a 4 % increase in volume flow

Pre-assembled aluminum silencers

Especially 3D-optimized axial fan with casing and impeller made of powder coated steel

Low overall height a (min. 345 to max. 430 mm)

Reversible impeller with up to 98 % volume flow in reversible mode

Specially developed motor suspension with high stability and low pressure losses

ruck CPA fulfills all mandatory parameters for a JetFan:

- Max. flow rate or thrust at a given diameter and motor power
- Unidirectional and reversible operation
- Low overall height
- Easy mounting
- All relevant approvals

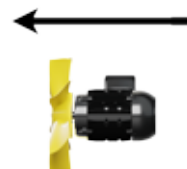
THE BENCHMARK JETFAN

TECHNICAL DATA

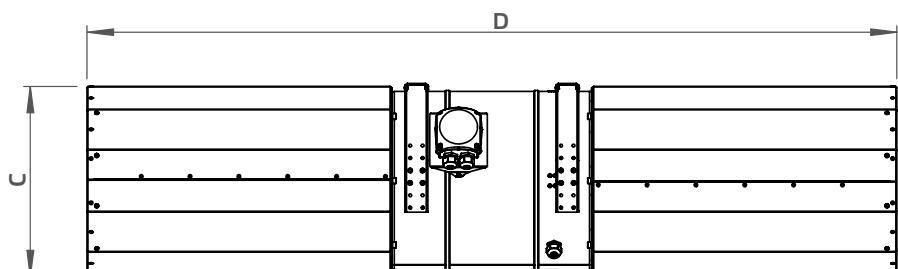
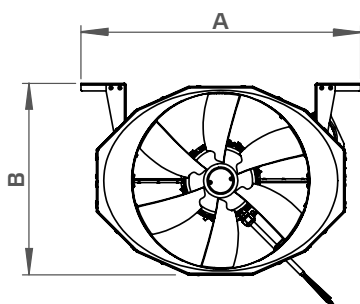
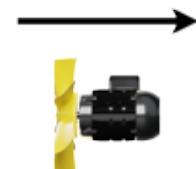
Product name	Voltage	Frequency	Nominal power Pn	Direction	Volume Flow qv	Thrust Tc	Sound Pressure Level LpA in 3m	Max. temperature °C		
								standard 60 °C	F3 300°C/120min	F4 400°C/120min
CPA 315 D42	400	50	1,1	A	4875	28	65	✓	✓	✓
				B	4910	29	64			
			0,25	A	2400	7	47			
				B	2450	7	64			
CPA 315 D2	400	50	1,1	A	4875	28	65	✓	✓	✓
				B	4910	29	64			
CPA 355 D42	400	50	1,5	A	7330	50	70	✓	✓	✓
				B	7050	47	67			
			0,37	A	3640	12	52			
				B	3525	12	50			
CPA 355 D2	400	50	1,5	A	7330	50	70	✓	✓	✓
				B	7050	47	67			
CPA 400 D42	400	50	2,2	A	10830	87	73	✓	✓	✓
					10020	74	72			
			0,55	B	5500	22	54			
					5060	19	53			
CPA 400 D2	400	50	2,2	A	10830	87	73	✓	✓	✓
				B	10020	74	72			

Product name	A	B	C	D
CPA 315 D42	547	346	339	1824
CPA 315 D2	547	346	339	1824
CPA 355 D42	589	394	379	1824
CPA 355 D2	589	394	379	1824
CPA 400 D42	635	431	424	1824
CPA 400 D2	635	431	424	1824

Airflow direction A



Airflow direction B



OUR PRODUCT PORTFOLIO

IN LINE TUBE FANS

ETALINE and ETAMASTER, the No. 1 in saving energy.



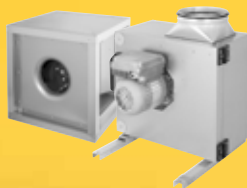
DUCT FANS

Backward curved centrifugal fans, sound insulated, compact diagonal fans.



EXHAUST FANS

Exhaust fans for industry and kitchen exhaust, up to 200 °C continuous operation, 400 °C / 120 min.



ROOF FANS

Roof fans with horizontal and vertical discharge, up to 200 °C continuous operation, 400 °C / 120 min.



COMPACT AHU

With counter flow heat exchanger with more than 90 % heat recovery efficiency and EC fans. Available with horizontal or vertical air guidance respectively flat units for suspended ceiling mounting.



COMPACT AHU

With rotary heat exchanger with up to 80 % heat recovery efficiency and EC fans. Available with horizontal or vertical air guidance.



ruck Ventilatoren GmbH

Max-Planck-Str. 5
D-97944 Boxberg

Tel. +49 (0)7930 9211-300
Fax +49 (0)7930 9211-166

www.ruck.eu
info@ruck.eu

