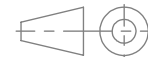
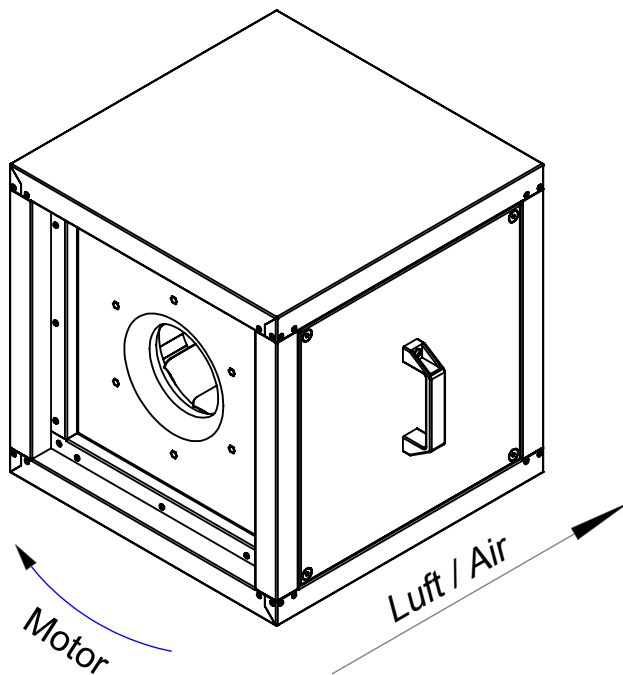
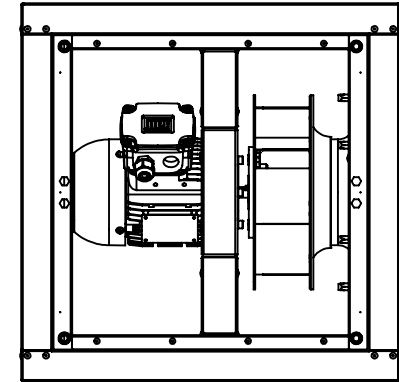


6xM6  
LK  $\varnothing$  250

Anschlussmaß innen min.  $\varnothing$  195  
Connection size inside min.  $\varnothing$  195



Protection Mark  
according to ISO16016

Created s.pop  
Drawn s.pop  
Released s.pop  
Disabled

1:10 A4 mm

General tolerances  
DIN ISO 2768-c

01.03.2021  
01.03.2021  
26.03.2021

**MPC225D240**

**157170 00**