



VENTILATION SOLUTIONS

Axial Fans VA Series

FOR SPECIALIST APPLICATION

Basic & High Temperature Resistant Models



Trickle Impregnation Technology

- Sealed motor against dust and moisture
- High temperature resistant electric motor
- Maximum isolation characteristics
- Longlivity of the electric motor

LONG life
30 000h



Series with double capsulated ball bearings NSK Japan which guarantee 30 000 hours of continuous operation.

Axial fans fall into the following categories: VA 9/2, VA 12/2, VA 12/2K, VA 14/2, VA 16/2.

Designed for:

- cooling of electronic control panels;
- ventilation of electrical panels;
- installation in devices in electronics, appliance construction and automation;
- cooling of welding machines and plasm cutting machines;
- installation in cooling and ventilation systems and air-conditioning devices;
- installation in household air heaters and heat exchangers.



All fans of this type have a built-in single-phase electric motors with shielded poles and a short-circuited rotor with double capsulated ball bearings. The fan is square in shape with internally located fins to which the stator is attached.

The VA series axial fans are suitable to be fitted to apertures and air conduits with Ø90, Ø100, Ø120, Ø135 and Ø150. They can be produced with supply voltages 230V, 115V, 36V or 24V, at frequency of 50Hz or 60Hz.

Isolation class: "H" - 180 degrees Celsius or "L" - 200 degrees Celsius.
Protection degree: IP 44.

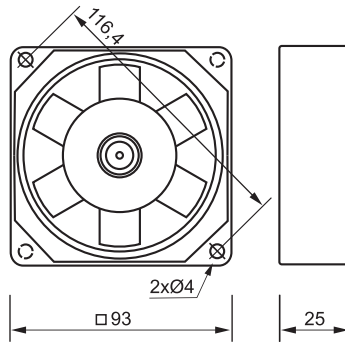
Operating conditions:

The fans are designed to operate under normal climatic conditions where the ambient temperature can vary from -5 degrees Celsius up to +60 degrees Celsius and a relative humidity from 40% to 98% at 30 degrees Celsius. Upon clients' request the fans can be manufactured to operate at higher temperatures, in tropical or coastal climatic zones.

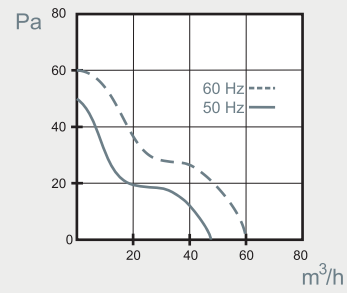
VA 9/2



Dimensions /mm/



Performance curves



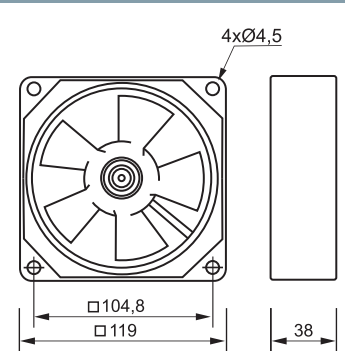
Technical characteristic

Supply Voltage	Maximum Flow Rate	Consumed power	Maximum Flow rate	Max static pressure	Consumed current	Protection Degree	Noise Level	Weight	Max Air t°	Product Code	Max Air t°	Product Code
Hz / V	min ⁻¹	W	m ³ /h	Pa	A	IP	dB	Kg	°C	No	°C	No
50 / 230	2500	16	60	50	0,096	44	36	0,420	+60	0071	+150	0132
50 / 115	2500	15	60	50	0,178	44	36	0,420	+60	8947	+150	7414
50 / 24	2500	16	60	50	0,870	44	36	0,420	+60	9104	+150	3232
60 / 220	3200	17	70	60	0,090	44	37	0,420	+60	-	+150	-
60 / 120	3200	17	70	60	0,160	44	37	0,420	+60	-	+150	-

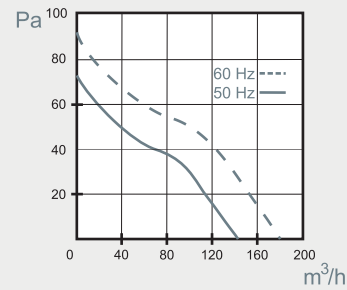
VA 12/2



Dimensions /mm/



Performance curves



Technical characteristic

Supply Voltage	Maximum Flow Rate	Consumed power	Maximum Flow rate	Max static pressure	Consumed current	Protection Degree	Noise Level	Weight	Max Air t°	Product Code	Max Air t°	Product Code
Hz / V	min ⁻¹	W	m ³ /h	Pa	A	IP	dB	Kg	°C	No	°C	No
50 / 230	2650	18	150	75	0,125	44	39	0,560	+60	0026	+150	0149
50 / 115	2650	17	150	75	0,234	44	39	0,560	+60	0064	+150	7407
50 / 24	2650	18	150	75	0,114	44	39	0,560	+60	3393	+150	6745
60 / 220	3200	19	175	90	0,110	44	42	0,560	+60	-	+150	-
60 / 120	3200	19	175	90	0,210	44	42	0,560	+60	-	+150	-



Products without a code are custom made.

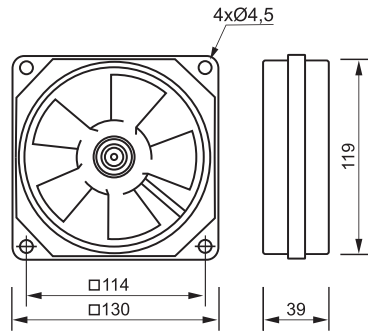
VA 12/2 K



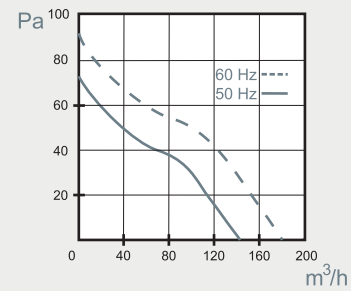
LONG life
30.000h



Dimensions /mm/



Performance curves



Technical characteristic

Supply Voltage	Maximum Flow Rate	Consumed power	Maximum Flow rate	Max static pressure	Consumed current	Protection Degree	Noise Level	Weight	Max Air t°	Product Code	Max Air t°	Product Code
Hz / V	min ⁻¹	W	m ³ /h	Pa	A	IP	dB	Kg	°C	No	°C	No
50 / 230	2650	18	150	75	0,125	44	39	0,600	+60	0033	+150	0224
50 / 115	2650	17	150	75	0,234	44	39	0,600	+60	3843	+150	-
50 / 24	2650	18	150	75	0,114	44	39	0,600	+60	-	+150	-
60 / 220	3200	19	175	90	0,110	44	42	0,600	+60	-	+150	-
60 / 120	3200	19	175	90	0,210	44	42	0,600	+60	-	+150	-

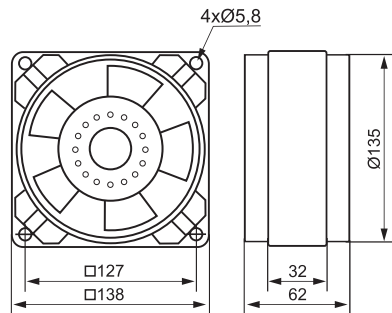
VA 14/2



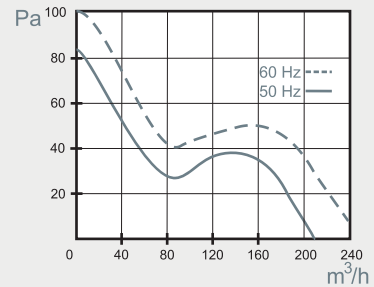
LONG life
30.000h



Dimensions /mm/



Performance curves



Technical characteristic

Supply Voltage	Maximum Flow Rate	Consumed power	Maximum Flow rate	Max static pressure	Consumed current	Protection Degree	Noise Level	Weight	Max Air t°	Product Code	Max Air t°	Product Code
Hz / V	min ⁻¹	W	m ³ /h	Pa	A	IP	dB	Kg	°C	No	°C	No
50 / 230	2650	42	205	85	0,340	44	41	1,520	+60	0040	+150	0156
50 / 115	2650	42	205	85	0,680	44	41	1,520	+60	3836	+150	4628
50 / 24	2650	42	205	85	0,312	44	41	1,520	+60	-	+150	-
60 / 220	3360	51	250	100	0,360	44	47	1,520	+60	-	+150	-
60 / 120	3360	51	250	100	0,701	44	47	1,520	+60	-	+150	-

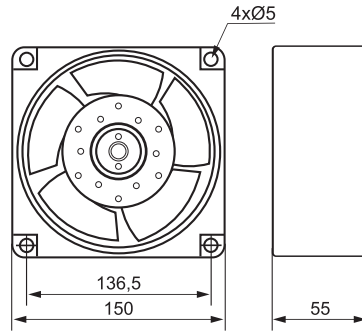


Products without a code are custom made.

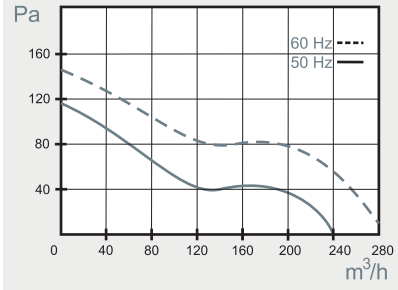
VA 16/2



Dimensions /mm/



Performance curves

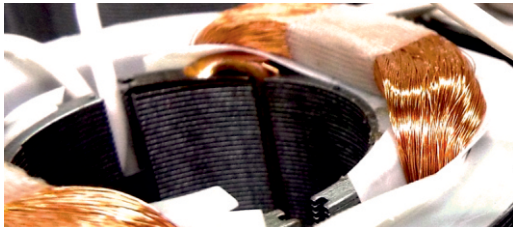


Technical characteristic

Supply Voltage	Maximum Flow Rate	Consumed power	Maximum Flow rate	Max static pressure	Consumed current	Protection Degree	Noise Level	Weight	Max Air t°	Product Code	Max Air t°	Product Code
Hz / V	min ⁻¹	W	m ³ /h	Pa	A	IP	dB	Kg	°C	No	°C	No
50 / 230	2650	46	240	110	0,385	44	51	1,220	+60	0057	+150	0163
50 / 115	2650	45	240	110	0,721	44	51	1,220	+60	0088	+150	4642
50 / 24	2650	45	240	110	0,353	44	51	1,220	+60	-	+150	-
60 / 220	3320	54	275	130	0,385	44	53	1,220	+60	-	+150	-
60 / 120	3320	54	275	130	0,714	44	53	1,220	+60	-	+150	-



Products without a code are custom made.



Trickle Impregnation Technology

- Sealed motor against dust and moisture
- Maximum isolation characteristics
- Longlivity of the electric motor